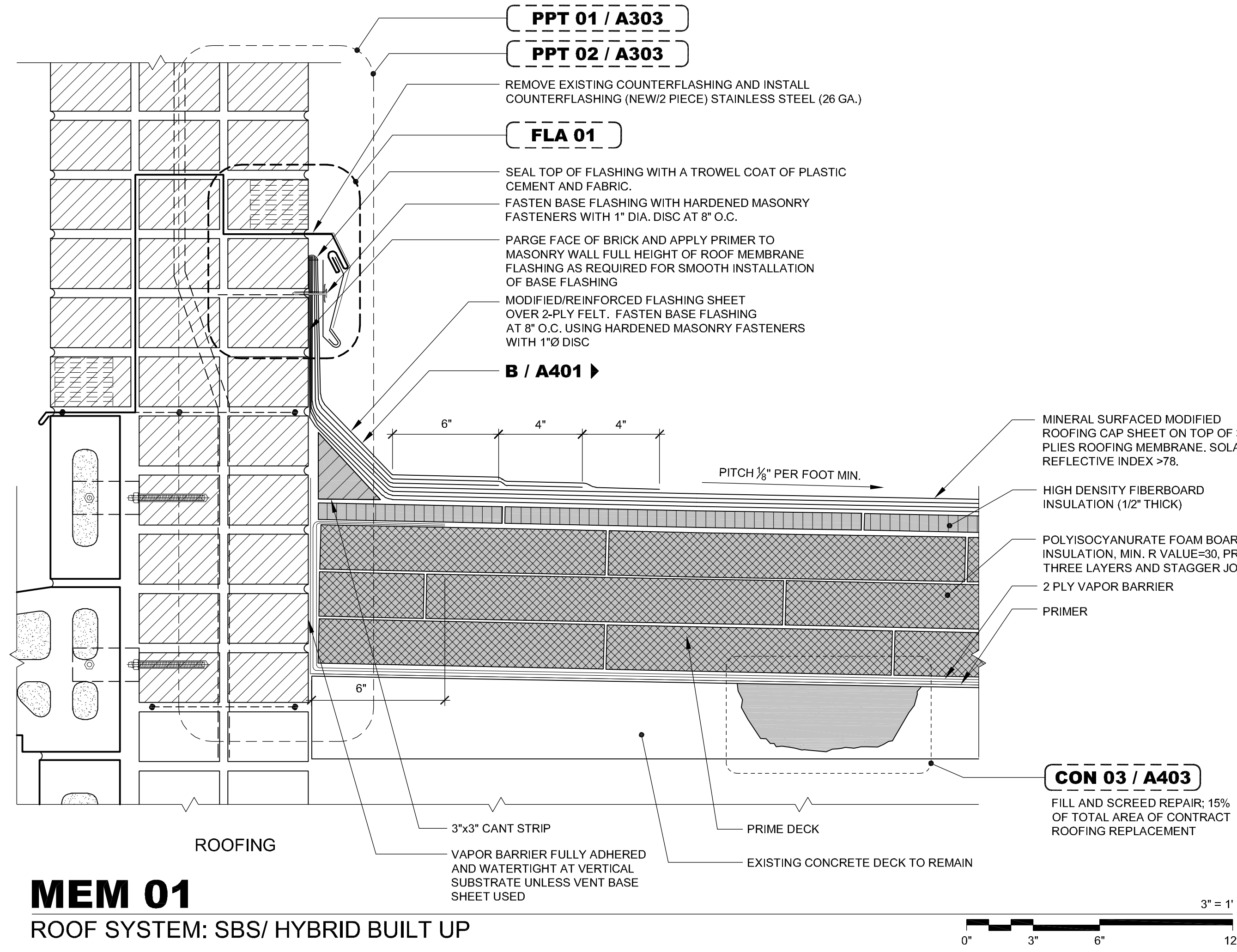
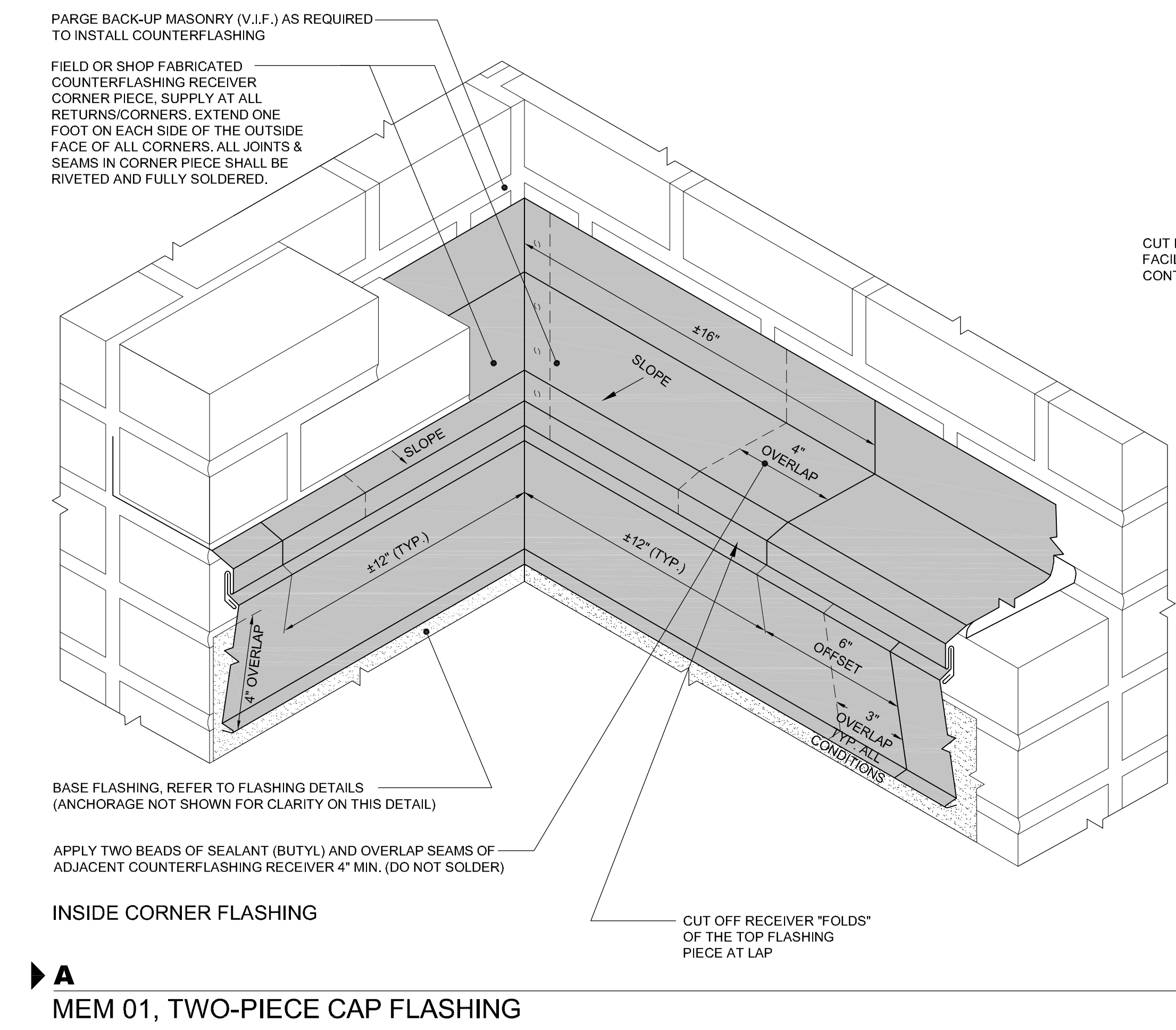
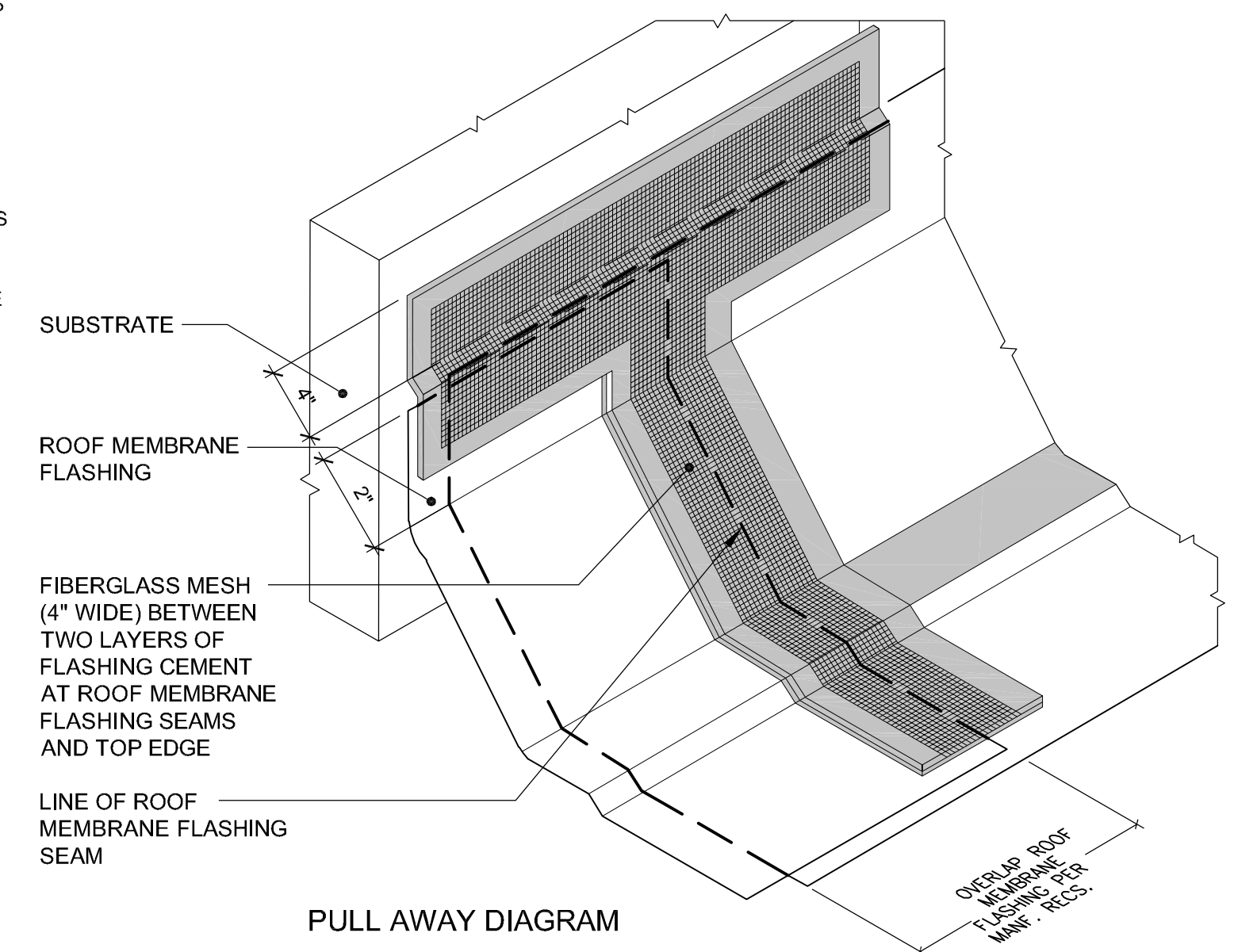
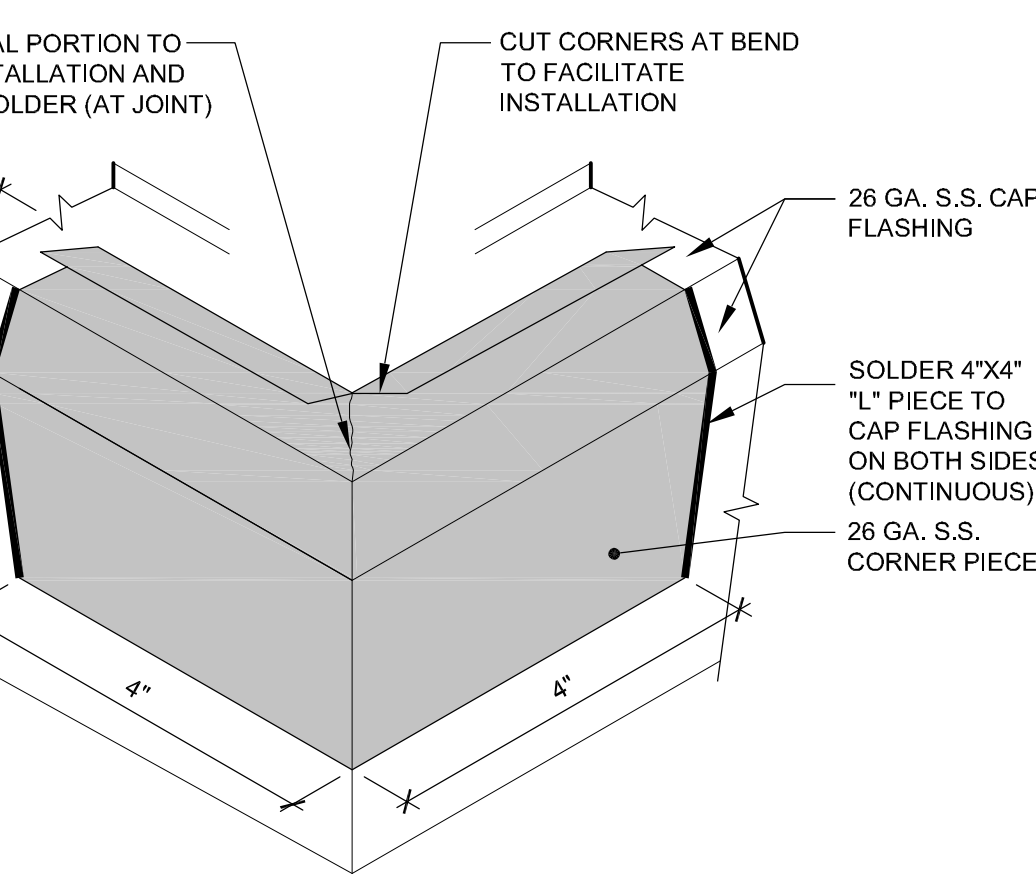
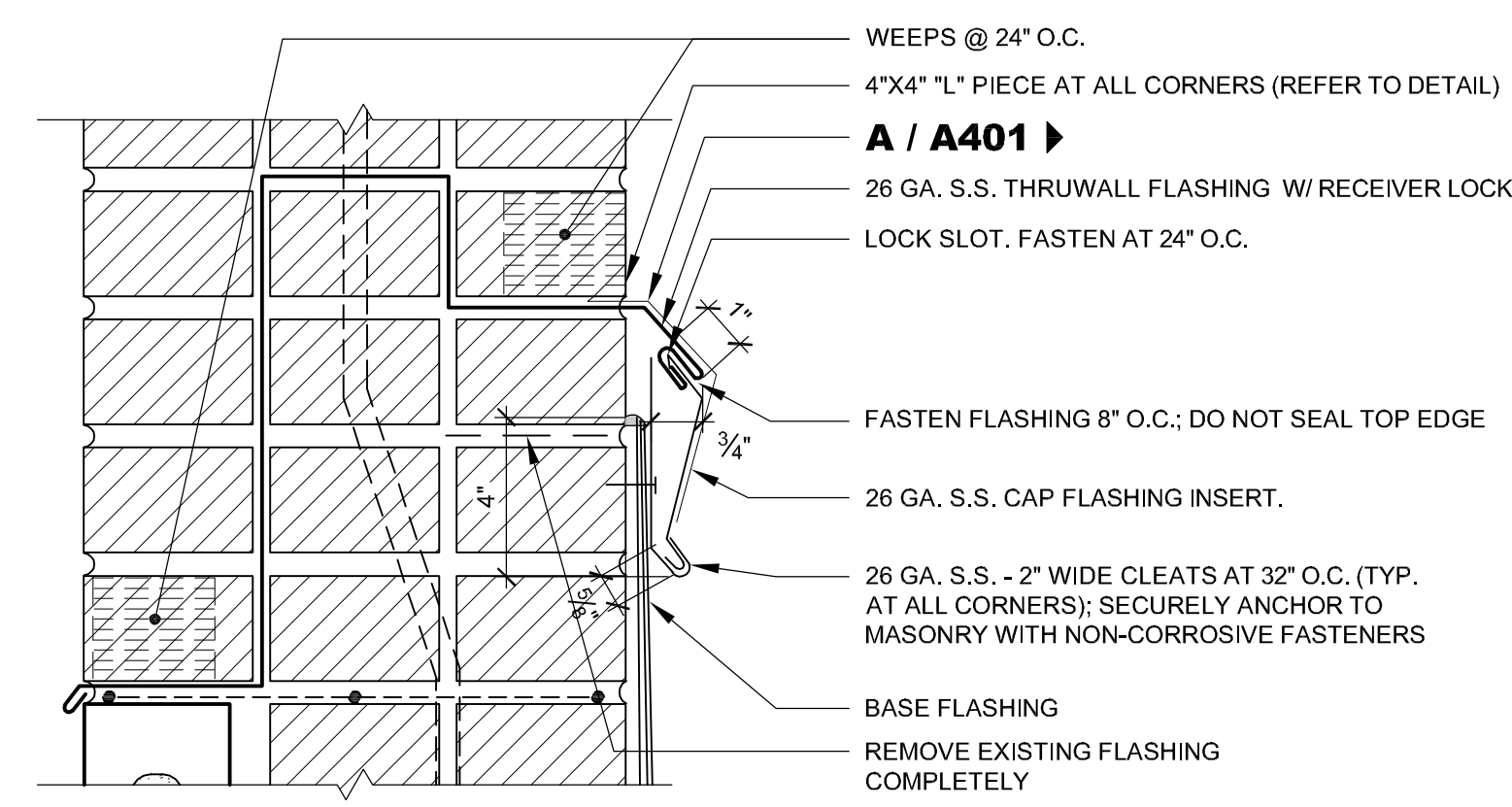


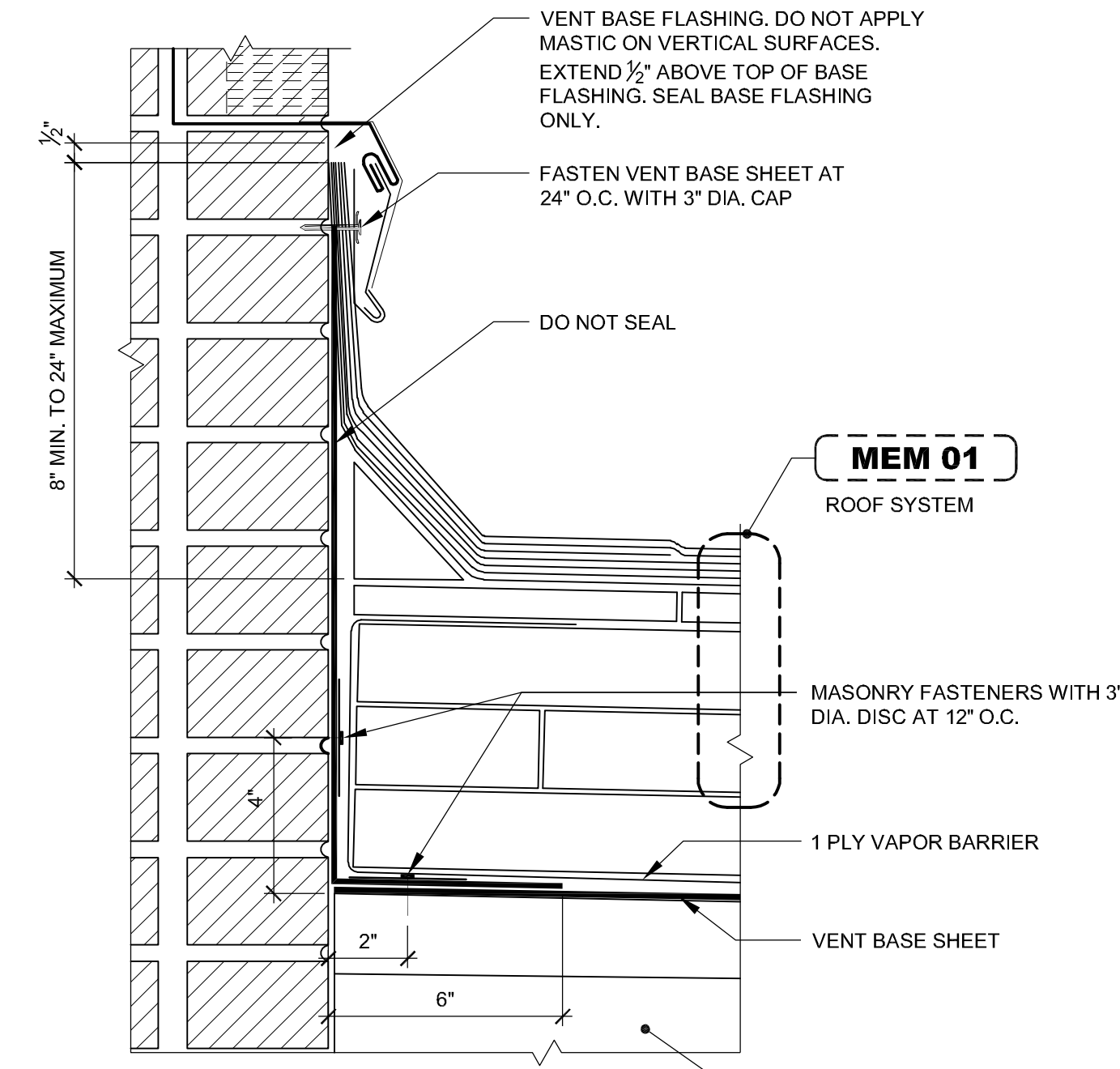
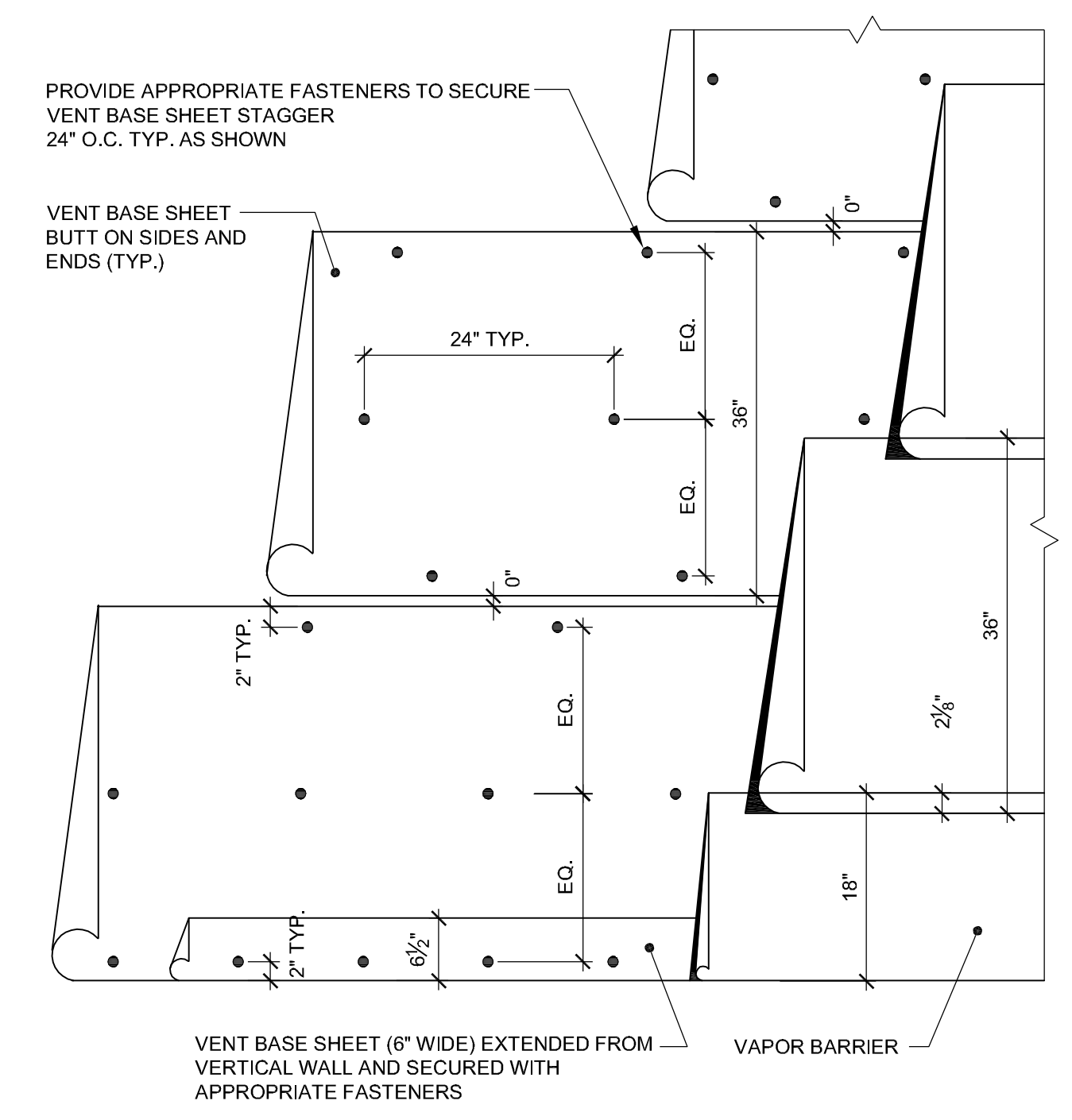
NOTES:
1. REFER TO ROOF TYPE SCHEDULE ON A102 FOR LOCATIONS OF EXISTING ROOF TYPES



(ALLOWANCE #2, DRAWING T002)
MEM 01 (ALLOWANCE)
PERIMETER DETAIL FOR VENT BASE SHEET



MEM 01, THREE COURSE SEAL



President & CEO
Lorraine Grillo

Board of Trustees
Chancellor Richard A. Carranza, Chairman
Curtis A. Harris
Emily A. Youssouf

SCA
New York State School Construction Authority

Architecture & Engineering

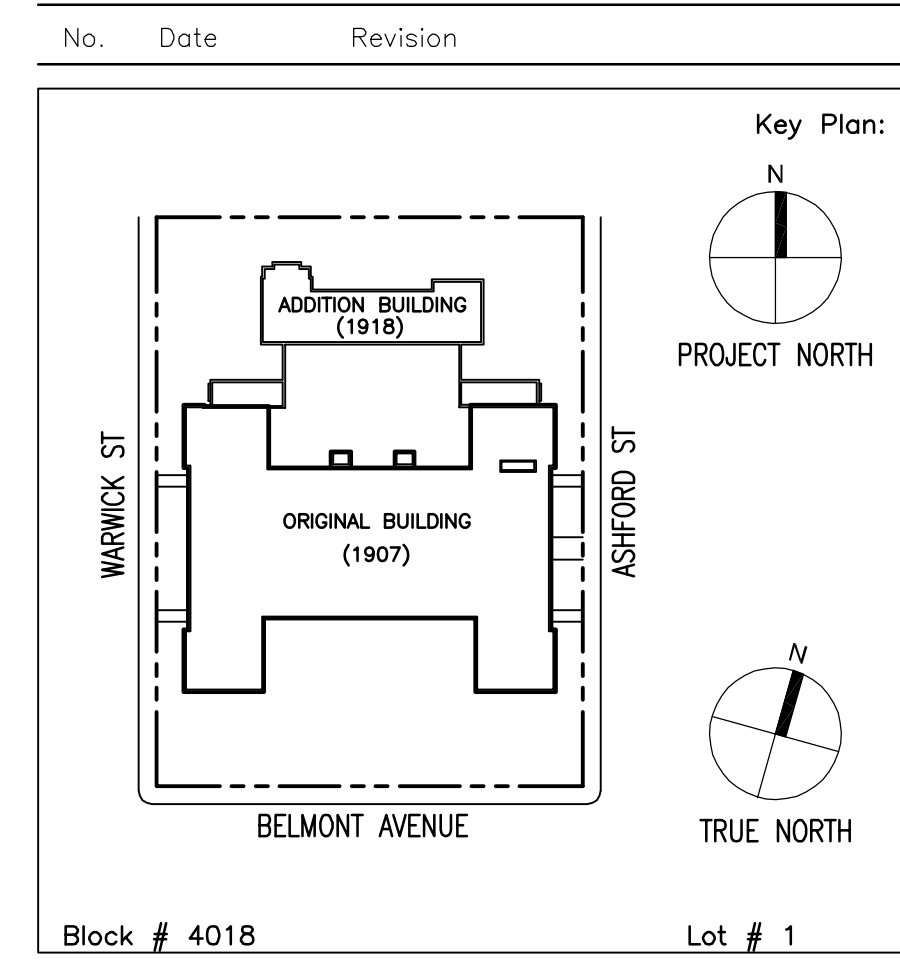
E. Bruce Barrett, R.A. LEED A.P., Vice President
Elan R. Abneri, P.E., Senior Director, Design Consultant Management
Stanley Dahir, R.A., Sr. Director, Quality Control & Construction Support
María A. Gómez, P.E., LEED A.P., Senior Director, A&E In-House Design
George D. Roussey, P.E., LEED A.P., Director, Technical Standards
Stacey Spann-Thom, Director, Operations Support

Consultants:

SUPER STRUCTURES
ENGINEERS ARCHITECTS

SHENY ENGINEERING
39 US AVE., SUITE 802, FREEBORO, NJ 07888
TEL 212 505 1833
FAX 212 505 1728

NOTE: Drawing may be printed at reduced scale
IT IS A VIOLATION OF THE STATE EDUCATION LAW SECTION 7209 (2) FOR ANY PERSON TO ALTER AN ITEM IN ANY WAY UNLESS SUCH PERSON IS ACTING UNDER THE DIRECTION OF A LICENSED PROFESSIONAL ENGINEER, AND THE ENGINEER STAMPS SUCH CHANGES



SCA Design Manager: WILLIAM DONG		
Project Architect/Engineer: DAVID MAY, RA		
Discipline Lead: JOHN GALETTA, RA		
Designer: ANNA KEDRINA		
Drawn by: LUKE KREUL/ALEX SHUEY		
Checked by: JOHN GRANDE, PE		
Design No: D018779	Facility Code: K158	Date: 05/13/2019

Project:
P.S. 158 - BROOKLYN
FLOOD ELIM., PARAPETS, WINDOWS,
PAVED AREAS, EXT. MASONRY, ROOFS

Address:
400 ASHFORD STREET
BROOKLYN, NY 11207

Drawing Title:
ROOFING
DETAILS - 1

Reserved For
DOB NOW Job#

Drawing No.:
A401.00

Sheets in Contract Set:
42 of 90

Sheets in DOB Set:
34 of 73

FID Job#: 0220-19
Number of drawings submitted: 73
Date Certified: 05/22/2019
SUBMITTED WITH SELF-CERTIFICATION OF OBJECTIONS as per Department of Buildings Technical PPN # 1/01

L:\59000A_59000R01 [P:\158K_Flood-Parapet-Windows]jimg\02 CONTRACT DOCUMENTS\WIP Drawings (dwg)\A401.dwg 05/16/19 - 12:21pm alexshuey